

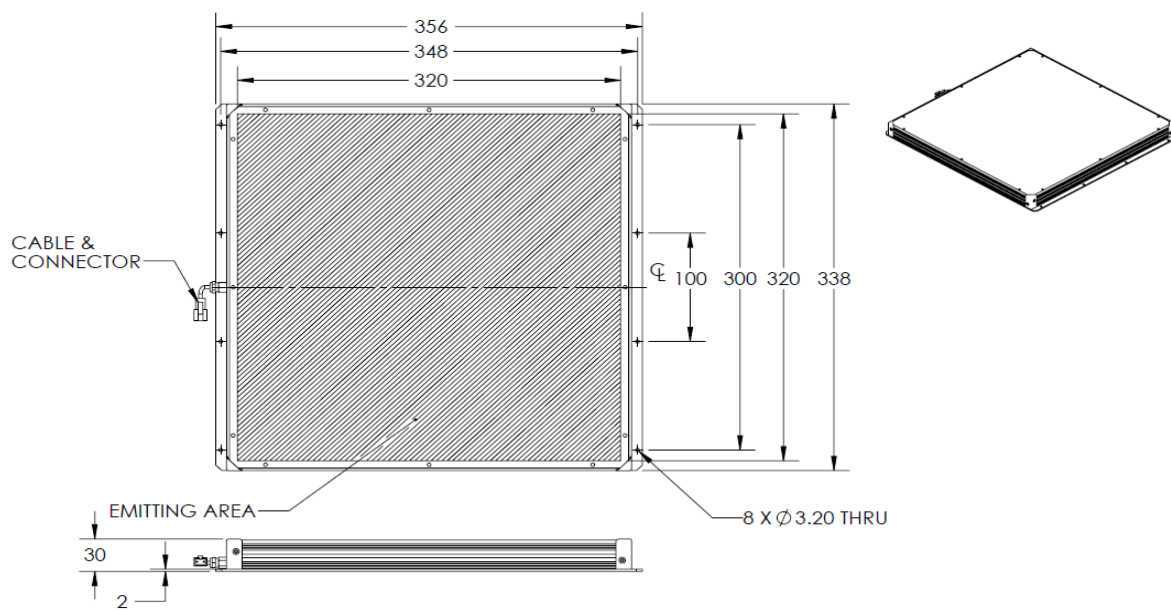


OPTO ENGINEERING

# ILLUMINATOR DATA

## LT3PVZL320X320-00-X-W-24V

### Lighting Dimension



### Mechanical Information

Casing Material	Aluminium
Storage Temperature Range	0 - 45°C
Storage Humidity Range	20 - 85%
Weight	1900 g
Length / Outer Diameter	356 mm
Width / Inner Diameter	338 mm
Thickness / Height	30 mm



OPTO ENGINEERING

# ILLUMINATOR DATA

## LT3PVZL320X320-00-X-W-24V

Lighting Information										
Part Number	LT3PVZL320X320-00-X-W-24V									
LED Color	WHITE									
Wavelength	REFER TO CHROMACITY TABLE									
Working Distance	10 mm	20 mm			30 mm					
Intensity (±15%)	TBA	TBA			TBA					
Illumination (number of row)	X									
Illumination Active Area	Active Length / Outer Dia.				320 mm					
	Active Width / Inner Dia.				320 mm					
Emission angle	0									
Eye Safety Class ( IEC62471 )	EXEMPT									
Chromaticity Table	X	0.296	0.287	0.307	0.311	X	0.311	0.307	0.33	0.33
For White colour only	Y	0.276	0.295	0.315	0.294	Y	0.294	0.315	0.339	0.318

Electrical Information	
Rated Constant Voltage	24V±2%
Rated Constant Current	2880 mA
Power Consumption	69.12 W
Casing temperature, After 60 minutes operation	52.8 °C


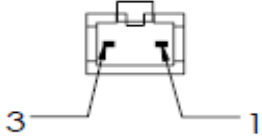
Strobe Mode Specification	
*Normal Strobe Voltage	24 V
*Normal Strobe Current	2880 mA
Overdrive Voltage Range	Min: 36V      Max: 48V
Overdrive Current Range	Min: 19.2 A      Max: 19.2 A
Recommended Overdrive Voltage	36V
**Max. Trigger Pulse Duration	10 msec
**Max. Duty Cycle	10%

\*Normal strobe means the lighting is operated using the rated power. Overdrive means the power supplied to the lighting exceeded the rated power.

\*\*Overdrive condition must not exceed the max. trigger pulse duration and max. duty cycle.

# ILLUMINATOR DATA

## LT3PVZL320X320-00-X-W-24V

Connection Information			
Connector Type (Default)	JST SMR-03V		
Cable Length	50 cm		
Pin Configuration  	Pin	Signal	Cable Colour
	1	LED +	Red
	2	N.C	-
	3	LED -	White
			

Additional Information	
Additional Cooling Method	Attached to machine part for better heat dissipation
Intensity Controller Selection	SD, ST, ANG, LC, SDA, SDP series
CE Conformity	YES
RoHS Compliance	YES

Application	
Illumination Type	Backlight Illumination
Application Use	Lead Frame Inspection, Shape Recognition, Size Measurement, edge detection.



OPTO ENGINEERING

# ILLUMINATOR DATA

## LT3PVZL320X320-00-X-W-24V

Lighting Pattern				
Working Distance	For further details please contact us.			
Display and Image				
Data Results	Horizontal	Meas.(mm)	Vertical	Meas.(mm)
	90%		90%	
	80%		80%	
	70%		70%	
	60%		60%	
	50%		50%	
	40%		40%	
	30%		30%	
	20%		20%	
	10%		10%	